


WARNING PRO-PRESS PLUMBING TOOL

Any piece of equipment can be dangerous if not operated properly. **YOU** are responsible for the safe operation of this equipment. The operator must carefully read and follow any warnings, safety signs and instructions provided with or located on the equipment. Do not remove, defeat, deface or render inoperable any of the safety devices or warnings on this equipment. If any safety devices or warnings have been removed, defeated, defaced, or rendered inoperable, **DO NOT USE THIS EQUIPMENT!!!**

 **WARNING:** Lithium-ion Batteries and/or products that contain Lithium-ion Batteries can expose you to chemicals including cobalt lithium nickel oxide, and nickel, which are known to the State of California to cause cancer and birth defects or other reproductive harm. For more information, go to www.P65warnings.ca.gov

If the person receiving this handout will not be the user of the equipment, forward these instructions to the operator. If there is any doubt as to the operation or safety of the equipment,

DO NOT USE!!! CALL A TOOL SHED IMMEDIATELY!!! FAILURE TO FOLLOW THESE INSTRUCTIONS COULD RESULT IN INJURY OR DEATH

General power tool safety warnings:

Read all safety warnings, instructions, illustrations and specifications provided with this power tool.

Failure to follow all instructions listed below may result in electric shock, fire and/or serious injury.

Save all warnings and instructions for future reference. The term "power tool" in the warnings refers to your mains-operated (corded) power tool or battery-operated (cordless) power tool.

Work area safety

- ▶ **Keep work areas clean and well lit.** Cluttered or dark areas invite accidents.
- ▶ **Do not operate power tools in explosive atmospheres, such as in the presence of flammable liquids, gases or dust.** Power tools create sparks which may ignite the dust or fumes.
- ▶ **Keep children & bystanders away while operating power tool.** Distractions can cause you to lose control.

Electrical safety

- ▶ **Power tool plugs must match the outlet. Never modify the plug in any way. Do not use any adapter plugs with earthed (grounded) power tools.** Unmodified plugs and matching outlets will reduce risk of electric shock.
- ▶ **Avoid body contact with earthed or grounded surfaces, such as pipes, radiators, ranges and refrigerators.** There is an increased risk of electric shock if your body is earthed or grounded.
- ▶ **Do not expose power tools to rain or wet conditions.** Water entering a power tool will increase the risk of electric shock.
- ▶ **Do not abuse the cord. Never use the cord for carrying, pulling or unplugging the power tool. Keep the cord away from heat, oil, sharp edges or moving parts.** Damaged or entangled cords increase the risk of electric shock.
- ▶ **When operating a power tool outdoors, use an extension cord suitable for outdoor use.** Use of a cord suitable for outdoor use reduces the risk of electric shock.
- ▶ **If operating a power tool in a damp location is unavoidable, use a ground fault circuit interrupter (GFCI) protected supply.** Use of a GFCI reduces the risk of electric shock.

Personal safety

- ▶ **Stay alert, watch what you are doing and use common sense when operating a power tool. Do not use a power tool while you are tired or under the influence of drugs, alcohol or medication.** A moment of inattention while operating power tools may result in serious personal injury.
- ▶ **Use personal protective equipment. Always wear eye protection.** Protective equipment such as a dust mask, non-skid safety shoes, hard hat or hearing protection will reduce personal injuries.
- ▶ **Prevent unintentional starting. Ensure the switch is in off position before connecting to battery pack, picking up or carrying the tool.** Carrying power tools with your finger on the switch or energizing power tools that have the switch on invites accidents.
- ▶ **Do not overreach. Keep proper footing and balance at all times.** This enables better control of the power tool in unexpected situations.

▶ **Dress properly. Do not wear loose clothing or jewelry. Keep your hair and clothing away from moving parts.** Loose clothes, jewelry or long hair can be caught in moving parts.

▶ **Do not let familiarity gained from frequent use of tools allow you to become complacent and ignore tool safety principles.** A careless action can cause severe injury within a fraction of a second.

Power tool use and care

▶ **Do not force the power tool. Use the correct power tool for your application.** The correct power tool will do the job better and safer at the rate for which it was designed.

▶ **Do not use the power tool if the switch does not turn it on and off.** Any power tool that cannot be controlled with the switch is dangerous and must be repaired.

▶ **Disconnect the battery pack from the power tool before making any adjustments, changing accessories, or storing power tools.** Such preventive safety measures reduce the risk of starting the power tool accidentally.

▶ **Store idle power tools out of the reach of children and do not allow people unfamiliar with the tool or these instructions to operate the tool.** Power tools are dangerous in the hands of untrained users.

▶ **Maintain power tools and accessories. Check for misalignment or binding of moving parts, breakage of parts and any other condition that may affect the power tool's operation. If damaged, notify A Tool Shed.**

▶ **Keep cutting tools sharp and clean.** Properly maintained cutting tools with sharp cutting edges are less likely to bind and are easier to control.

▶ **Use the power tool, accessories and tool bits etc. in accordance with these instructions, taking into account the working conditions and the work to be performed.** Use of the power tool for operations different from those intended could result in a hazardous situation.

▶ **Keep handles and grasping surfaces dry, clean and free from oil and grease.** Slippery handles and grasping surfaces do not allow for safe handling and control of the tool in unexpected situations.

Battery tool use and care

▶ **Recharge only with the charger specified by the manufacturer.** A charger that is suitable for one type of battery pack may create a risk of fire when used with another battery pack.

▶ **Use power tools only with specifically designated battery packs.** Use of any other battery packs may create a risk of injury and fire.

▶ **When battery pack is not in use, keep it away from other metal objects, like paper clips, coins, keys, nails, screws or other small metal objects, that can make a connection from one terminal to another.**

Shorting the battery terminals together may cause burns or a fire.

▶ **Under abusive conditions, liquid may be ejected from the battery; avoid contact. If contact accidentally occurs, flush with water. If liquid contacts eyes, additionally seek medical help.** Liquid ejected from the battery may cause irritation or burns.

▶ **Do not use a battery pack or tool that is damaged or modified.** Damaged or modified batteries may exhibit unpredictable behavior resulting in fire, explosion or risk of injury.

▶ **Do not expose a battery pack or tool to fire or excessive temperature.** Exposure to fire or temperature above 265 °F may cause an explosion.

▶ **Follow all charging instructions and do not charge the battery pack or tool outside the temperature range specified in the instructions.** Charging improperly or at temperatures outside the specified range may damage the battery and increase the risk of fire.

Personal safety

▶ Comply with the country-specific standards and safety instructions for the operation of pressing tools and all work on, with or in proximity to electrically live equipment and lines.

▶ Persons who work in the vicinity of live lines must receive regular instruction and training.

▶ Use the pressing tool only when it is in technically faultless condition.

▶ Never tamper with or modify the product or accessories in any way.

▶ Keep the air vents clear at all times. Risk of burn injuries due to blocked air vents.

▶ If you notice oil escaping, cease working with the tool and contact A Tool Shed immediately and remove the leaked oil.

▶ Check that the locking pin is pushed in all the way and securely engaged.

▶ Throughout the pressing operation, take great care to keep your hands and fingers clear of the pressing head.

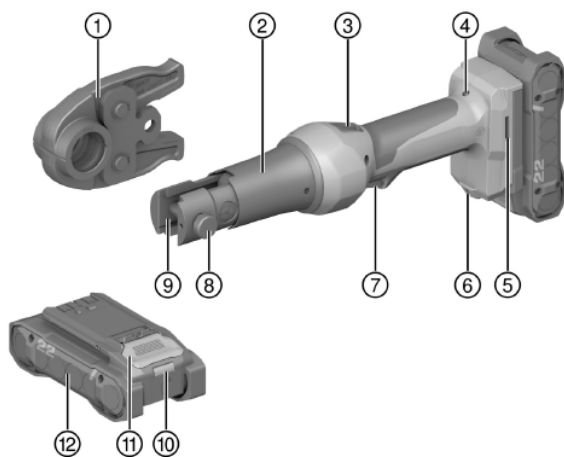
- ▶ Switch the product on only after you have brought it to the working position.
- ▶ Wait until the product has come to a complete stop before you lay it down.
- ▶ Always hold the pressing tool firmly with both hands on the grips provided for that purpose.
- ▶ Do not secure a belt hook to this power tool.
- ▶ Risk of injury by falling tools and/or accessories. Before starting work, check that the battery and installed accessories are secure.
- ▶ Do not look directly into the light source (LED) of the product and do not aim the beam at other persons' faces. Risk of blinding or eye damage.
- ▶ Never carry out pressing work on parts of a gas supply network unless express approval has been given by the system supplier for use of this pressing tool in conjunction with specially tested and approved fittings.
- ▶ After pressing, pressure-test the piping system to ensure that it is free of leaks (resulting from misuse of the tool, for example).

Electrical safety

- ▶ Before use of the pressing tool, all live cables and other equipment carrying electric voltage within the area in which the user is working are to be switched off. If this is not possible, the corresponding safety precautions for working in proximity to live cables or equipment must be implemented and observed.
- ▶ Before beginning work, check the working area for concealed electric cables or gas and water pipes. External metal parts of the product could give you an electric shock or cause an explosion if you accidentally damage an electric cable or a gas or water pipe.
- ▶ Do not press live parts, i.e. parts carrying electric voltage. The pressing tool must be considered as being uninsulated and must therefore be used in combination with personal protective equipment (protective gloves, protective footwear, protective clothing, etc.) of a type suitable to provide protection for yourself and other people in the vicinity.

Power tool use and care

- ▶ After approx. 50 consecutive pressing operations, switch the pressing tool off and allow it to cool down for about 15 minutes. Overheating can lead to damage to the pressing tool.
- ▶ Store the pressing tool in a dry place inaccessible to children and unauthorized people.
- ▶ Before starting work, check the pressing tool, the pressing jaws (NPR PS) or, as applicable, the pressing rings (NPR PR) in accordance with the instructions. Inadequately tested pressing tools, jaws or rings can lead to substandard pressings and are a potential safety risk for the operator.
- ▶ Make sure that there are no foreign objects (e.g. plaster, grit particles, metal cuttings, etc.) in the pressing jaws and no parts are damaged. Do not continue to use damaged or distorted pressing jaws!



Product overview:

- (1) Pressing Die
- (2) Tool Head
- (3) Piston Return Switch
- (4) Servicing & Fault Indicator
- (5) Installation Opening for Accessories
- (6) Work-area Light
- (7) Control Switch
- (8) Locking Pin
- (9) Mount for Pressing Jaw
- (10) Battery Status Indicator
- (11) Battery Release Button
- (12) Battery

Intended use

The product described is a cordless, electro-hydraulic pressing tool. It is designed for pressing fittings used to connect composite, steel and copper (Cu) pipes.

- For this product, use only the supplied **Hilti** Nuron lithium-ion battery.
- For these batteries, use only the supplied **Hilti** charger.

Possible misuse

- Do not use this hand-held pressing tool clamped in a fixed position or as a stationary device.
- Do not use the electro-hydraulic pressing tool in heavy rain or underwater.

Risk of injury! Unintentional starting. ► Remove the battery before fitting, changing or removing the pressing jaws. **Risk of injury by short circuit or falling battery!**

► Before inserting the battery, make sure that the contacts on the battery and the contacts on the product are free of foreign matter.

► Make sure that the battery always engages correctly.

1. Charge the battery fully before using it for the first time. 2. Push the battery into the product until it engages with an audible click. 3. Check that the battery is seated securely.

Removing the battery

1. Press the battery release button. 2. Remove the battery from the product.

Inserting pressing jaw CAUTION: Risk of injury! The accessory tool may be hot and/or have sharp edges.

► Wear protective gloves when changing the accessory tool.

► Never lay down a hot accessory tool on a flammable surface.

Never operate the product without a pressing jaw installed!

1. Select the suitable pressing jaw. 2. Turn the tool head so that the locking pin is easily accessible.

3. Press the locking pins. 4. Rotate the locking pins counterclockwise as far as they will go. ► The locking pin pops out. 5. Insert the pressing jaw. 6. Push the locking pins in until they engage.

The locking pin is engaged correctly when it projects slightly on the other side of the pressing jaw.

Removing pressing jaw CAUTION: Risk of injury! The accessory tool may be hot and/or have sharp edges.

► Wear protective gloves when changing the accessory tool.

► Never lay down a hot accessory tool on a flammable surface.

WARNING: Risk of injury! Unintentional starting.

► Remove the battery before fitting, changing or removing the pressing jaws.

1. Turn the tool head so that the locking pin is easily accessible. 2. Press the locking pins. 3. Rotate the locking pins counterclockwise as far as they will go. ► The locking pin pops out. 4. Work the pressing jaw forward and out of the product.

Operation: Observe the safety instructions and warnings in this documentation and on the product.

Pressing with pressing jaws DANGER: Electric shock hazard! Working in adverse outdoor conditions can cause electric shocks and/or short circuits. ► Never work on electrically live lines while a thunderstorm is in progress. ► Call a halt to work immediately whenever weather conditions impair the insulation characteristics, vision or movement of the workers.

WARNING: Risk of injury due to oil escaping under high pressure! Oil escaping under high pressure can injure the skin and the eyes. ► Do not use the pressing tool if damage is visible. ► Do not use the pressing tool if oil escapes. ► Make sure that the piston retracts after every pressing operation.

► If the piston does not retract after the pressing operation, press the reset button for manual retraction.

WARNING: Risk of injury by escaping gas! Escaping gas can injure the respiratory system or ignite.

► Perform pressing operations on gas-pipe systems only with specially tested and suitable combination of pressing tool and fitting which, moreover, has the express approval of the system supplier.

WARNING: Risk of injury due to flying fragments! Flying fragments present a risk of injury to the eyes & body. ► Wear eye protection and protective gloves.

► Use suitable connecting material in combination with the correct pressing rings and pressing / adapter jaws.

► Before and during the pressing operation, make sure that the pressing rings and pressing / adapter jaws are correctly positioned.

In cold weather the hydraulic oil can thicken and slow the pressing operation. Perform 5 to 10 empty pressing operations to heat up the pressing tool.

If the pressing operation is ended prematurely, the fitting must be removed or, if possible, repressed.

1. Insert the pressing jaw. 2. Squeeze the legs of the pressing jaws together. ► The pressing jaw opens.

3. Enclose the fitting to be installed in the pressing jaw. 4. Press and hold down the control switch until the piston retracts. ► The pressing operation is completed successfully.